



flow & process solutions





Potravinářský průmysl
Farmaceutický průmysl
Biotechnologie
Petrochemie
Chemický průmysl
Energetika
Úprava vody
Papírenství a zpracování celulózy
Plynárenský průmysl
Keramický průmysl
Zpracovatelský průmysl



Firma s tradicí od r. 1990 se při svém vzniku zaměřila na dodávky základních komponent, přístrojové a měřicí techniky a dodávky technologií pro farmaceutický a potravinářský průmysl. Cílem bylo zajistit kompletní dodavatelsko - inženýrské služby, včetně servisu. V roce 1998, který byl pro firmu velmi významným mezníkem, proběhla transformace společnosti do nynější formy. V dalších letech činnosti společnosti dochází k rozšíření portfolia a je navazována spolupráce s partnery v oblasti armatur, komponent, ventilů, procesní měřicí techniky a čerpadel.

Oblastí působnosti je potravinářský, farmaceutický průmysl, biotechnologie, chemický průmysl, petrochemie, úprava vody, papírenství a celulóza, energetika, keramický průmysl a zpracovatelský průmysl.

Firma REGOM INSTRUMENTS je díky širokému dodavatelskému portfoliu a bohatým zkušenostem schopna zajistit dodávky armatur, komponent, čerpadel, přístrojů a zařízení.

Cílem společnosti REGOM INSTRUMENTS je poskytování kvalitních služeb a spolehlivých dodávek pro co nejširší okruh zákazníků.

Product Information NSL-M-00, NSL-M-01

FOOD

Continuous Level Sensor NSL-M

Range of application

- Continuous level measurement in metallic vessels up to 3 m in height
- Ideal for adhesive and pasty media
- Level measurement of foaming media
- Minimum product conductivity typically from 50 $\mu\text{S}/\text{cm}$ (available on request for lower values)
- Hygienic substitute for float sensors

Application examples

- Process such as balance tanks and fillers
- Level measurement in storage vessels
- Level monitoring in pressurized vessels

Hygienic design/Process connection

- Hygienic process connection with CLEANadapt
- Conforming to 3-A Sanitary Standard for versions with DIRECTadapt
- All wetted materials are FDA-conform
- Sensor completely made of stainless steel
- Complete overview of process connections: see order code
- The Anderson-Negele CLEANadapt system offers a flow-optimized, hygienic and easily sterilizable installation solution for sensors.

Features

- CIP-/SIP-cleaning up to 143 °C / max. 120 minutes
- Protection class IP 69 K (with cable connection)
- Compact and robust sensor with minimal size ratio
- 2-wire sensor with 4...20 mA output signal
- No adjustment after media change due to potentiometric measurement principle
- Individual parameter adjustment or programming via PC interface
- Mounting in vessels is possible from bottom and from top
- Mounting on the side is possible with angled sensor
- Current signal for measurement range, dry signal and error signal adjustable

Options/Accessories

- Pre-assembled connecting cable for M12-plug
- Programming adapter MPI-200 with PC software

Function principle

The potentiometric measuring principle measures the change in the voltage ratio between the electrode rod of the sensor and the metallic wall of the filled tank. An electric flow field arises in the medium due to the electrical conductivity of the medium and its capacitive properties. This gives rise to a voltage ratio that is proportional to the immersed part of the rod.

Because only the ratio of the voltages is considered, the properties of the medium, in particular the electrical conductivity, do not enter into the measurement result. Using a second, patent-pending measuring procedure, the sensor also provides information on the submersion state of the electrode rod. This system analyzes electrical resonance properties to detect foam and suppress it partly in the results, and to reliably prevent erroneous measurements due to adhesions.

Authorizations



Government-funded

Supported by:

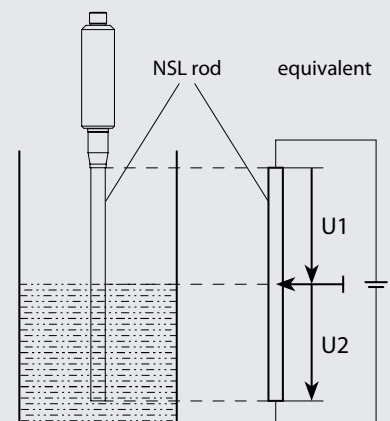


on the basis of a decision by the German Bundestag

Level sensor NSL-M-00



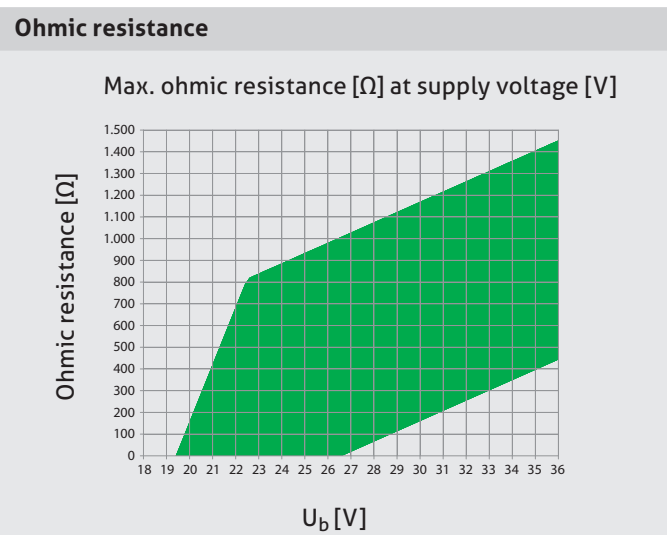
Function principle



Specification		
Rod length EL	product contacting	50...3000 mm
Measurement range MB		20...199 mm (rod diameter 6 mm) 200 mm (rod diameter 10 mm)
Process connection	thread	CLEANadapt G1/2", G1" hygienic torque: 10 Nm max.
	fixed Tri-Clamp	Tri-Clamp 1...1½", 2", 3"; Varivent Type F, Type N
Process pressure		max. 16 bar
Materials	head	stainless steel 1.4305
	adapter	stainless steel 1.4301
	isolating part	PEEK (FDA approval number: 21 CFR 177 2415)
	rod	stainless steel 1.4404, $R_a \leq 0.8 \mu\text{m}$
Temperature range	ambient	0...70 °C
	storage	-40...85 °C
	process	-10...140 °C
	CIP-/SIP-cleaning	143 °C max. 120 min
Resolution	rod length > 500 mm	< 0.1 % of upper range value (= rod length)
	rod length < 500 mm	< 0.5 mm
Accuracy	media with conductivity > 50 $\mu\text{S/cm}$ (e.g. beer, milk, beverages)	< 1% of rod length
	media with conductivity < 50 $\mu\text{S/cm}$	On request since dependent on installation situation and tank design
Linearity*		< 1.0 % of upper range value (= rod length)
Reproducibility*	rod length > 500 mm	< 0.2 % of upper range value (= rod length)
	rod length < 500 mm	< 1.0 mm
Temperature drift	at 25 °C	$\leq 0.1 \%$
Response time		< 100 ms
Electrical connection	supply	18...36 V DC M12-plug, 1.4301, 4-pin
	protection class	IP 69 K
	output signal	analog 4...20 mA, galvanic separated to housing, 2-wire loop
	ohmic resistance	see table
Weight		550 g with rod length 1.5 m

* For homogenous media at constant temperature

Possible parameter/Settings	
4...20 mA current signal	
Underrange	3.80; 3.95; 4.00 mA
Ovrange	20.00; 20.05; 20.50 mA
Warning and Failure signal (e.g. dry run)	3.80; 3.95; 4.00 mA 20.00; 20.05; 20.50; 21.00; 21.20 mA
Level measurement	
Zero/Gain	-50...50 % / 50...150 %
Damping	0; 0.1; 0.2; 0.5; 1; 2; 5 s





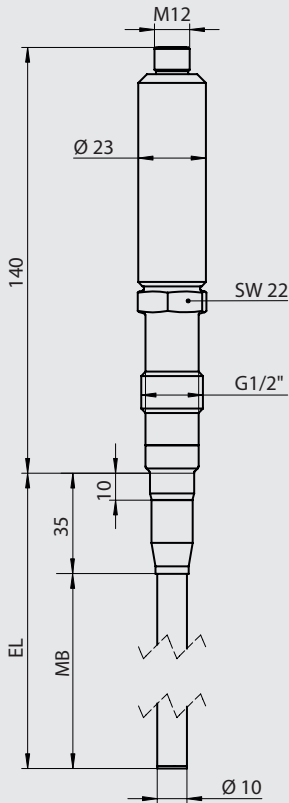
Rod diameter

Rod diameter is depending on rod length (EL). For exact diameter see adjoining chart.

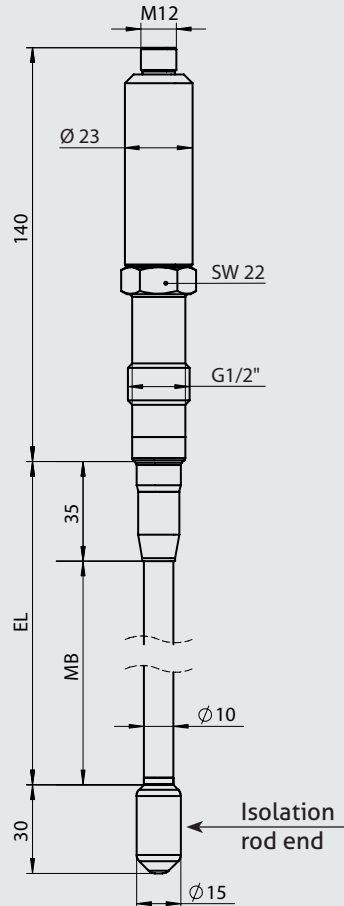
Rod diameter

EL	Ø D
50...199 mm	6 mm
200...3000 mm	10 mm

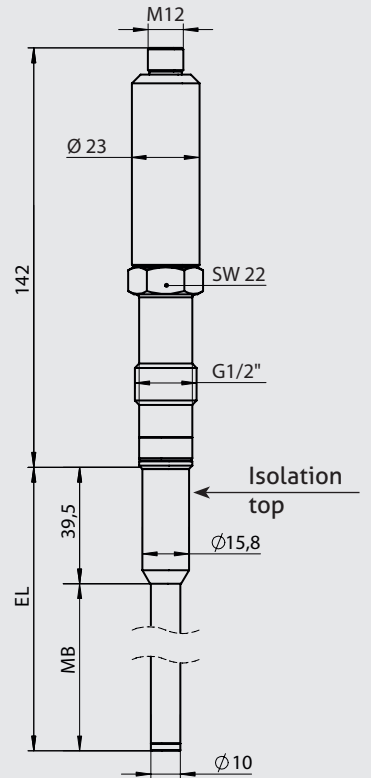
**NSL-M ... / 10 / S0 / ...,
EL ≥ 200 mm**



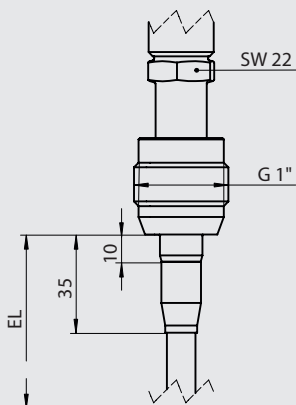
**NSL-M with isolation at rod end,
EL ≥ 200 mm**



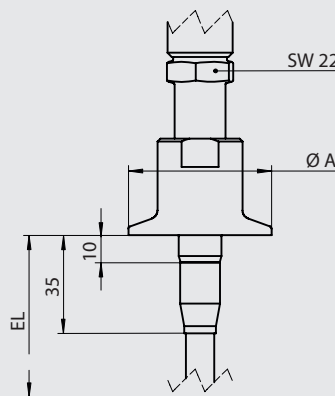
**NSL-M with isolation at top,
EL ≥ 200 mm**



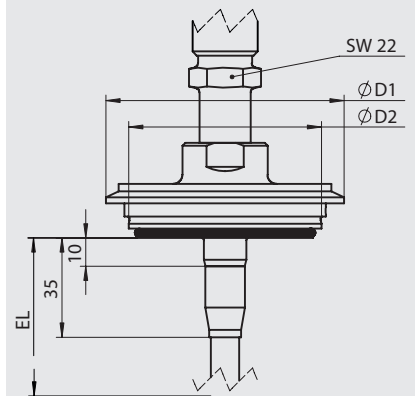
NSL-M ... / 10 / S1 / ...



NSL-M ... / 10 / TCx / ...



NSL-M ... / 10 / Vx / ...



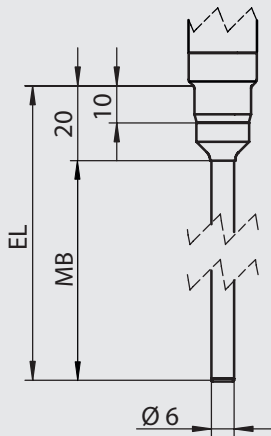
Tri-Clamp diameter

Type	Ø A
TC1	50.5 mm
TC2	64.0 mm
TC3	91.0 mm

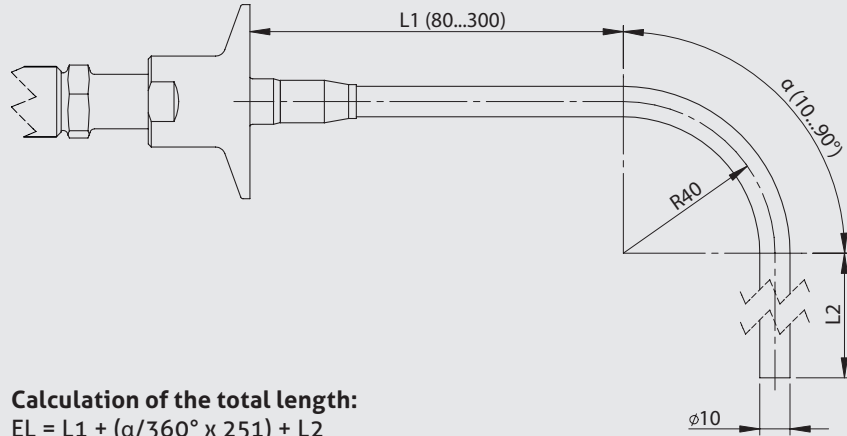
Varivent dimensional table

Type	Varivent Type	D1 [mm]	D2 [mm]
V25	F	66	50
V40	N	84	68

NSL-M ... / 6 / S0 / ..., EL < 200 mm



Angled version NSL-M-01 / ... / 10 / TCx / ...



Calculation of the total length:
 $EL = L1 + (\alpha/360^\circ \times 251) + L2$

Conventional usage

- Not suitable for applications in explosive areas.
- Not suitable for applications in security-relevant equipment (SIL).



Conditions for a measuring point according to 3-A Sanitary Standard 74-06

- The sensors NSL-M conforming to the 3-A Sanitary Standard.
- The sensors are designed for CIP-/ SIP-cleaning. Maximum 143 °C / 120 minutes.
- Only with the build-in system **CLEANadapt** (EMZ, EMK, Adapter AMC and AMV) allowed.
- Using the weld in sleeve EMZ, EMK the weld must comply to the requirements of the current 3-A Sanitary Standard.
- Mounting position, self draining and the position of the leakage hole must be in accordance to current 3-A Sanitary Standard.



Mounting position

If NSL-sensor is mounted into a vessel, there is a range of 20 mm or 35 mm (from sealing edge on) where no level can be measured. The 4 mA resp. 20 mA signal starts with the bottom bevel seam of the rod.

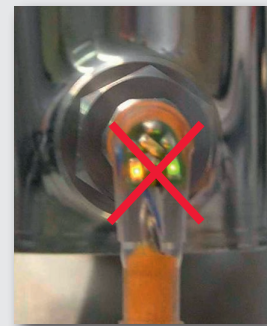


Cable with M12-plug and LED

The NSL sensor is a 2-wire sensor with 4...20 mA output signal. Use of a cable with internal LEDs will cause a measurement error!

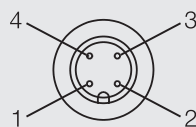


M12-plug with LED



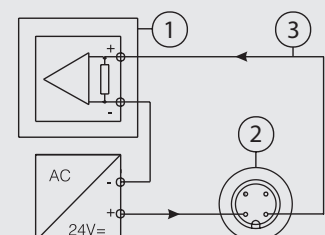
Configuration M12-plug

- 1: +supply
- 2: -supply 4...20 mA
- 3: data link to PC interface, must not be connected
- 4: data link to PC interface, must not be connected



Connecting 2-wire system

- 1: PLC
- 2: M12-plug
- 3: 4...20 mA current loop

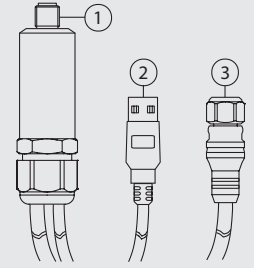


Programming adapter MPI-200

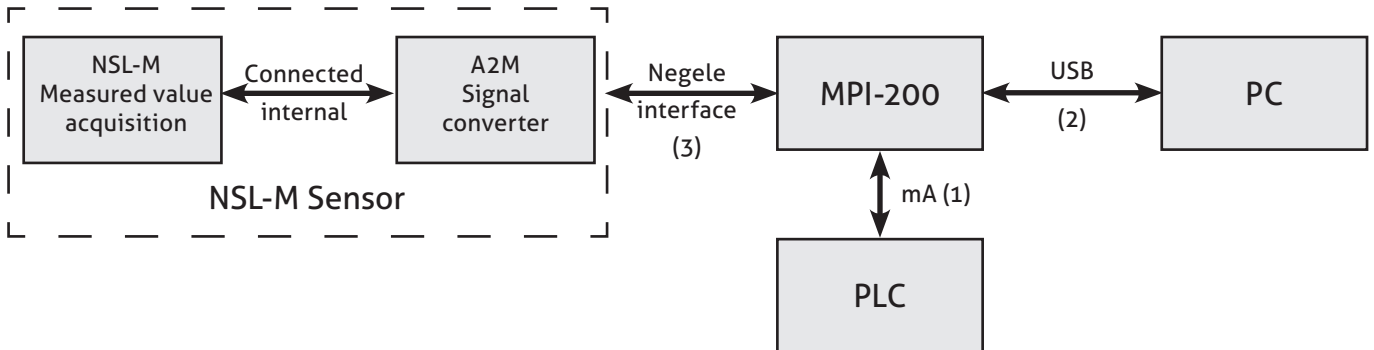


Connection of programming adapter MPI-200

- 1: External power supply via M12-plug (optional)
- 2: USB port for connection to PC incl. power supply if not supplied external
- 3: Connection cable to NSL-sensor



Signal flow while parametrization



Adjustment of NSL parameters

Using the PC based software and the programming adaptor MPI-200 the following NSL-M parameters can be adjusted or changed in situ (with vessel) or alternatively on the bench (in simulation mode): e.g.

4...20 mA Signal

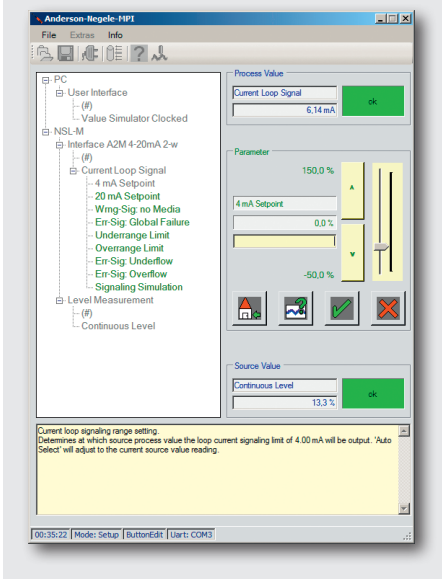
- Level for (4 / 20) mA output signal
- Warning signal "dry run"
- Error signal "failure"
- Signallimit for under- and overrange
- Error signal "over- and underflow"
- Signal simulation (3.80...21.20 mA)

Level Measuring

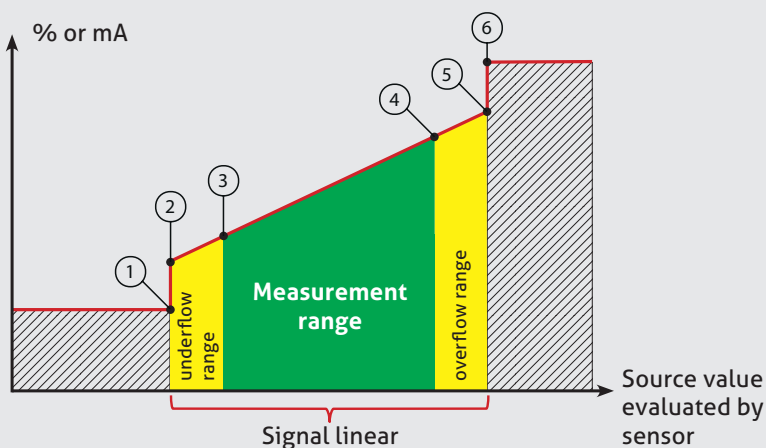
- Level zero/offset
- level slope/gain
- Damping/filter
- Physical Unit

Mounting Position

Configuration software



Parameter/Signal sequence



- 1: Error signal: underflow
- 2: Underflow limit
- 3: 4 mA-setpoint
- 4: 20 mA-setpoint
- 5: Overflow limit
- 6: Error signal: overflow

Warning signal: dry run

- Sensor is not immersed into a media
- Signal can be adjusted from 3.8 up to 21.2 mA

Note



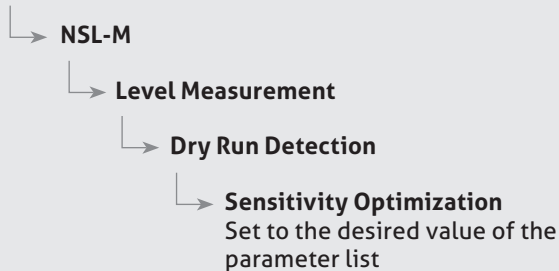
- A list of the parameter settings in the level switch is supplied with the device. These parameter settings and those changed by the user can be printed out in the software using the MPI-200 programming adapter.
- When making settings, note the help texts in the MPI software. They provide useful information on changing the selected parameter.

The default setting of the NSL-M level switch is for operation with aqueous media without requiring special adjustments. In highly critical media it may be necessary to make adjustments to some of the parameters (the parameter can be found under the path specified below):

Adjustment of the sensitivity/foam detection

In case of foam or adhesions to the lower end of the switch (4 mA signal)

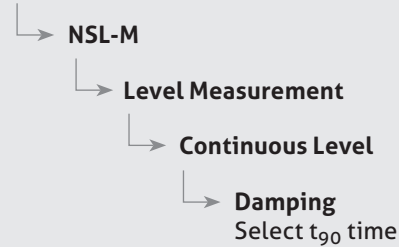
Setup Menu



Prevention of signal jumps in turbulent media

To damp signal jumps at the lower end of the sensor (4 mA signal)

Setup Menu



Note



Some parameters are password-protected.
The password can be obtained from the Anderson-Negele hotline if needed.

Transport/Storage



- No outdoor storage
- Dry and dust free
- Not exposed to corrosive media
- Protected against solar radiation
- Avoiding mechanical shock and vibration
- Storage temperature -40...+85 °C
- Relative humidity maximum 98 %

Reshipment



- Sensors and process connection shall be clean and must not be contaminated with dangerous media and/or heat-conductive paste! Note the advice for cleaning!
- Use suitable transport packaging only to avoid damage of the equipment!

Cleaning/Maintenance



- In case of using pressure washers, don't point nozzle directly to electrical connections!

Standards and Guidelines



- You have to comply with applicable regulations and directives

Note on CE



- Applicable directives:
Electromagnetic Compatibility Directive 2014/30/EU
- Compliance with the applicable EU directives is identified by the CE label on the product.
- The operating company is responsible for complying with the guidelines applicable to the entire installation.

Disposal



- Electrical devices should not be disposed of with household trash. They must be recycled in accordance with national laws and regulations.
- Take the device directly to a specialized recycling company and do not use municipal collection points.

Order code

NSL-M-00

(Potentiometric level sensor for food application, 2-wire technology, straight version)

Rod length EL, choose length 50...3000 mm in 10 mm raster, intermediate sizes in 1-mm steps on request

0050...3000 (material 1.4404)

Rod diameter

06 (Ø 6 mm, up to rod length 199 mm)

10 (Ø 10 mm, from rod length 200 mm)

Process connection version

S0 (CLEANadapt G1/2" hygienic)

S1 (CLEANadapt G1" hygienic)

TC1 (Tri-Clamp 1...1½")

TC2 (Tri-Clamp 2")

TC3 (Tri-Clamp 3")

V25 (Varivent Typ F, DN25)

V40 (Varivent Typ N, DN40/50)

Surface roughness

8 ($R_a \leq 0.8 \mu\text{m}$)

Material certificate

0 (no certificate, standard)

Z (with 3.1 material certificate for 1.4404)

Installation position

0 (installation from top)

U (installation from bottom)

6 (installation from top with isolation)

Output signal

A2M (4...20 mA, analog, 2-wire)

Electrical connection

M12 (M12-plug 1.4305)

Isolation at rod end

X (without, standard)

PK (with PEEK isolation)

Parameter configuration

X (standard)

S (write out details)

NSL-M-00/

1500/

10/

S0/

8/

0/

U/

A2M/

M12

X/

X

Order code

NSL-M-01 (Potentiometric level sensor for food application, 2-wire technology, angled version)

Rod length EL, choose length 80...1500 mm in 10 mm raster, intermediate sizes in 1-mm steps on request

0080...1500 (Material 1.4404)

Process connection version

- TC1** (Tri-Clamp 1...1½")
- TC2** (Tri-Clamp 2")
- TC3** (Tri-Clamp 3")
- V25** (Varivent type F, DN25)
- V40** (Varivent type N, DN40/50)

Surface roughness

8 ($R_a \leq 0,8 \mu\text{m}$)

Material certificate

- O** (no certificate, standard)
- Z** (with 3.1 material certificate for 1.4404)

Installation position

- O** (installation from top)
- U** (installation from bottom)

Output signal

A2M (4...20 mA, analog, 2-wire)

Electrical connection

M12 (M12-plug 1.4305)

Isolation at rod end

- X** (without, standard)
- PK** (PEEK isolation)

Details on angled version 01

- 80...300** (length L1 in mm)
- 10...90** (angle α in °)

Parameter configuration

- X** (standard)
- S** (write out details)

NSL-M-01/ 1500/ TC1/ 8/ O/ U/ A2M/ M12/ X/ 100-90/ X

Accessories

PVC-cable with M12-connection made of 1.4305, IP 69 K, unshielded
M12-PVC / 4-X m PVC-cable 4-pin, length 5, 10, 25 m

PVC-cable with M12-connection, brass nickel-plated, IP 67, shielded
M12-PVC / 4G-X m PVC-cable 4-pin, length 5, 10, 25 m

Programming adapter
MPI-200 Incl. PC software

CERT/2.2 factory certificate 2.2 acc. to EN 10204
(only product contacting surface)

Isolation top**Isolation rod end**



Copyright© 2008 REGOM INSTRUMENTS s.r.o.

Bez souhlasu REGOM INSTRUMENTS s.r.o. není dovoleno texty či obrazové materiály modifikovat, kopírovat, distribuovat, přenášet, zobrazovat, reprodukovat, publikovat, nebo pomocí nich vytvářet pozměněné materiály.

www.regom.com